

Historical Sireg

Giant Swing is a Giant Again

A review on world Historical Buildings and Great Civil Monuments strengthened by Sireg solutions



Historical Sireg

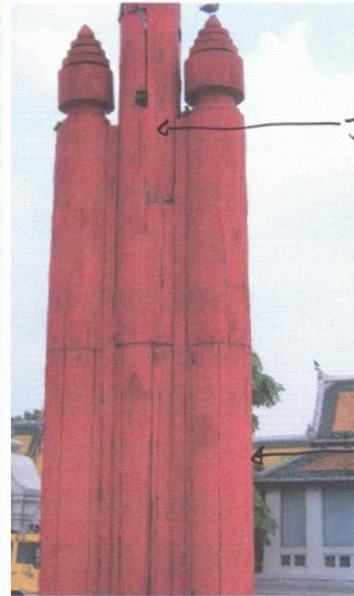
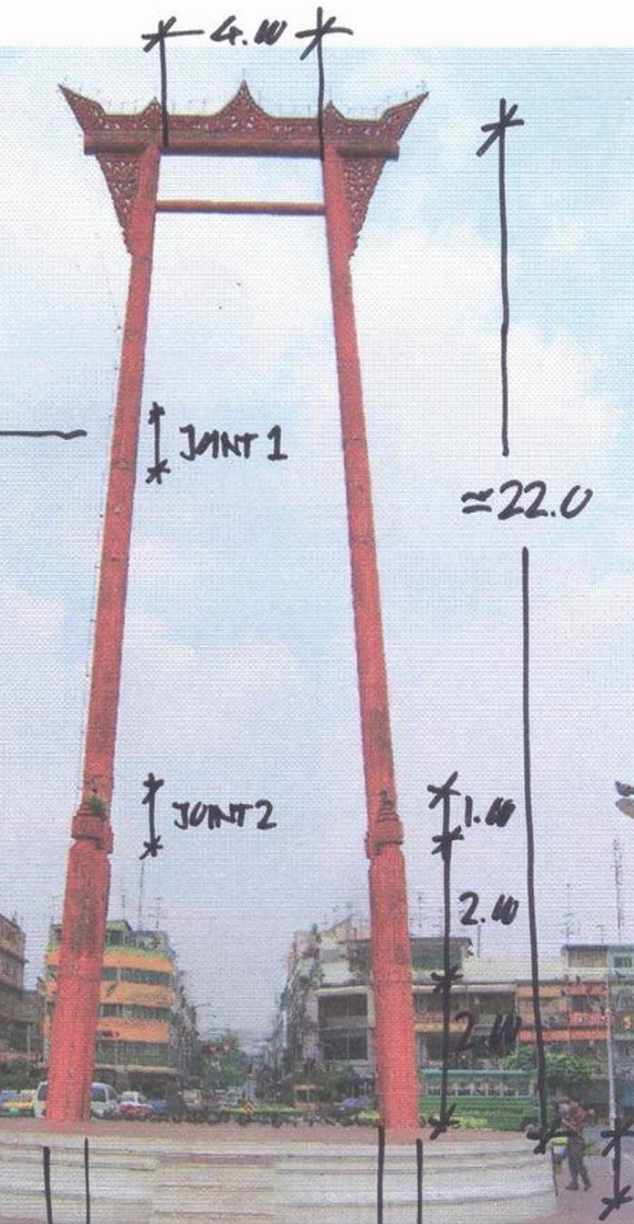
Giant Swing is a Giant Again

Sireg Geotech produced and supplied its **Carbopree®** solutions for the iconic monument **Giant Swing**, located in Bangkok, Thailand. The repair works, which took place during 2005, have been considered a milestone.



Historical Sireg

Giant Swing is a Giant Again



IS CONCRETE
ကုန်ပစ္စည်း

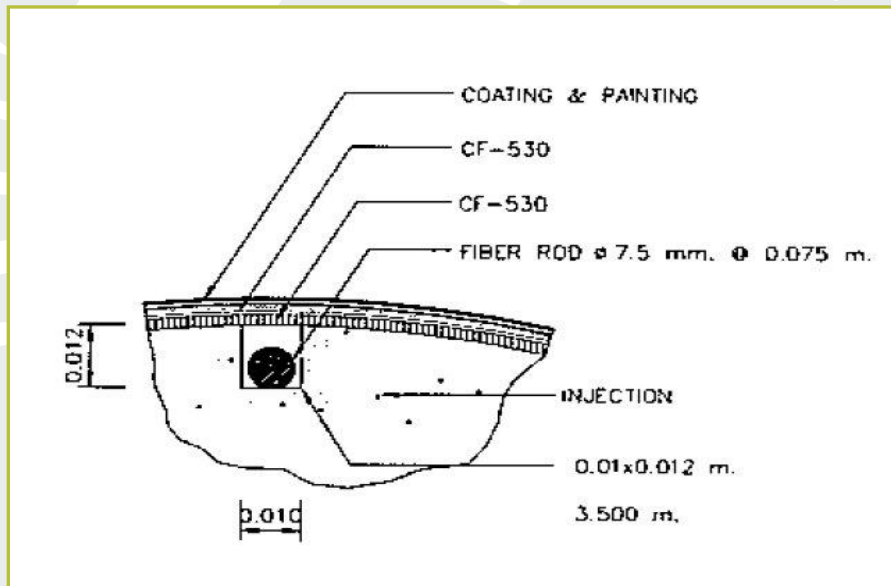
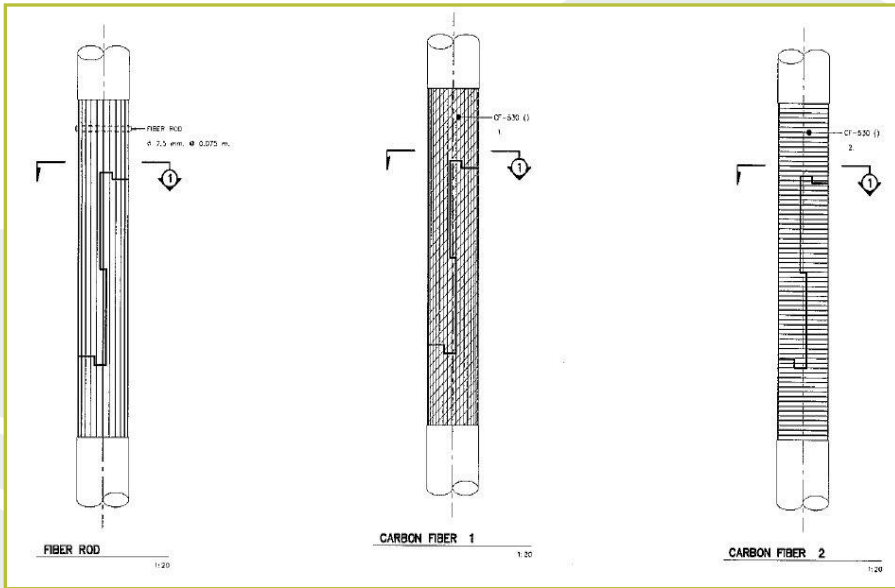


The original structure was composed by wooden beams and pillars.

The structural columns and beams that are composing this famous Brahim religious portal are mainly built from a local wood.

All the structural elements were secured by a system of **Carbopree®** round rods and fabrics. For their lightweight and efficient tensile strength features, Sireg products have reached a brilliant result, keeping the Giant in healthy condition.





The original XVIIIth century monument, more than 22 m high, was featured by partial damages, fractured lines and joints and a recognized structural weakness.

Repair works were designed using the **Near Surface Method** (NSM) technology and involved the installation of **Carbopree®** rods inside longitudinal small dimension trenches, together with CFRP fabric wrappings.

Historical Sireg

Giant Swing is a Giant Again

